



### Features & Options

- BAPI-Stat 4, BAPI-Stat 2 and Delta Style Enclosures
- Optional Setpoint, Override, Comm. Jack and Test & Balance Switch
- Limited Lifetime Warranty

### Setpoint & Legend

The optional setpoint is a linear slidepot adjustment that comes in various ranges, reverse or direct acting. An optional setpoint legend can be imprinted on the base of the enclosure. Common Legends include “Cool/Warm”, “55 to 85” and “5 to 30”.

### Override

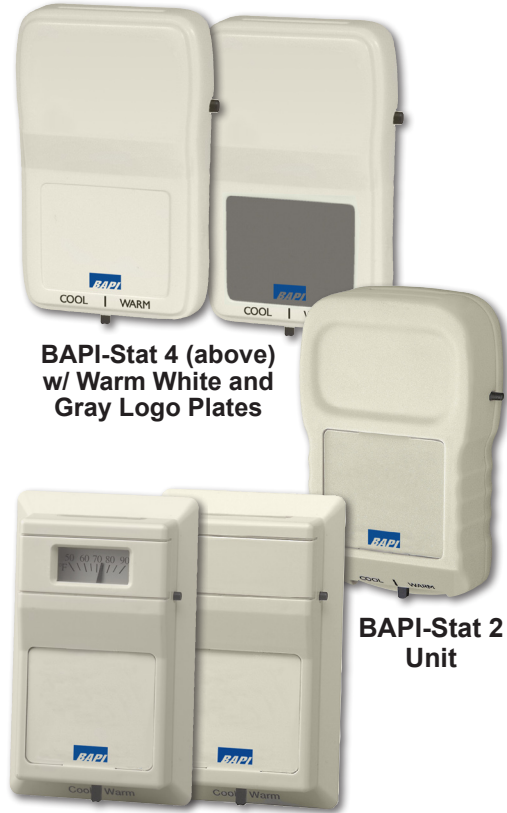
The optional override is a discreet momentary signal that can be configured to be compatible with any controller.

### Communication Jack

Available with RJ11 (4 pin), RJ12 (6 pin), RJ22 (4 pin) or a 3.5 mm phono plug style jack.

### Test and Balance Switch

A 3-position switch is available to change the sensor output as follows: “Low” is a cold reading of  $\approx 40^{\circ}\text{F}$ , “Normal” is the live sensor value, and “High” is a hot reading of  $\approx 105^{\circ}\text{F}$ .



**BAPI-Stat 4 (above)  
w/ Warm White and  
Gray Logo Plates**

**BAPI-Stat 2  
Unit**

**Delta Style with and  
without Bi-Metal Indicator**

### Specifications

#### Environmental Operation Range:

Temperature: 32 to 122 °F (0 to 50 °C)  
Humidity: 0 to 95%, non-condensing

**Material & Rating:** ABS Plastic, UL 94, V-0

**Material Color:** Warm White

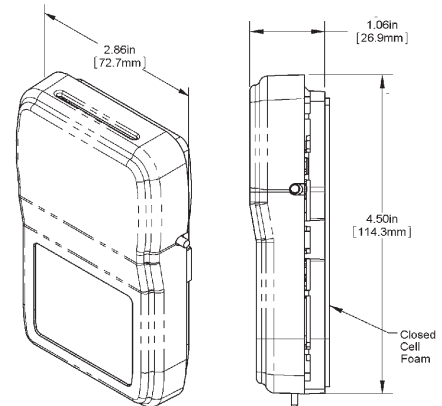
**Accuracy:** (High accuracy available, see ordering grid)

Standard Thermistor:  $\pm 0.2\%^{\circ}\text{C}$  (0 to 70°C)  
Standard Plat. RTD:  $\pm 0.31\%^{\circ}\text{C}$  (@ 0°C)

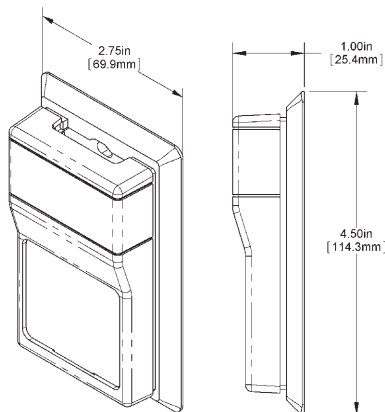
**Agency:** RoHS, \*CE (all Thermistors < 20KΩ are CE)

*For detailed specifications on the individual sensors, turn to the Sensors section.*

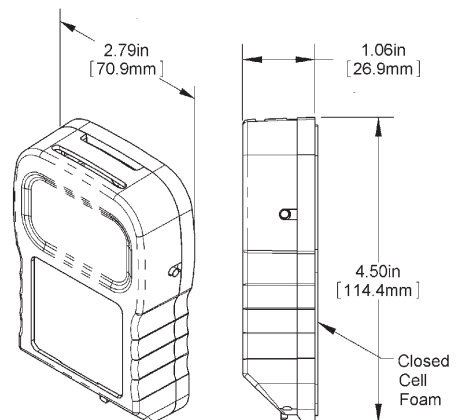
**BAPI-Stat  
4 Style  
Enclosure**



**Delta Style  
Enclosure**



**BAPI-Stat  
2 Style  
Enclosure**





Ordering Information		BAPI Room Temperature Sensors without Display					
BA/	Sensor Type (Must select one) Use the designator number (shown to the left in bold) to indicate the sensor						
#	<b>THERMISTORS</b>		<b>RTDs</b>				
	1.8K	1.8K Ω @ 25 °C	<b>1K[375]</b>	1K Ω Platinum @ 0 °C, 3.75 Ω/°C temp. coeff.			
	3K	3K Ω @ 25 °C	<b>1K[NI]</b>	1K Ω Nickel @ 21°C, 5 Ω/°C temp. coeff.			
	3.25K	3.25K Ω @ 25 °C (T30 type)	<b>1K</b>	1K Ω Platinum @ 0 °C, 3.85 Ω/°C temp. coeff.			
	3.3K	3.3K Ω @ 25 °C	<b>2K</b>	2K Ω Silicon @ 20 °C, 8 Ω/°C temp. coeff.			
	10K-2	10K Ω @ 25 °C	<b>SEMICONDUCTORS</b>				
	10K-3	10K Ω @ 25 °C	<b>334</b>	LM334 Semiconductor			
	10K-3[11K]	5,238 Ω @ 25 °C	<b>592</b>	AD592 Semiconductor, 273 μA @ 0 °C			
	20K	20K Ω @ 25 °C	<b>592-10K</b>	AD592 Semicond. w/ 10 kΩ shunt resistor, 2.73 V @ 0 °C			
	50K	50K Ω @ 25 °C					
	100K	100K Ω @ 25 °C					
High Accuracy Thermistors (±0.1°C): 3K, 10K-2, 10K-3, 10K-3(11K), 20K & 100K Thermistors are available as high accuracy. To order, add <b>[XP]</b> after the designator #. Example: BA/10K-2[XP]-B425L1-J-CG							
High Accuracy RTDs (±0.156°C): 1K[375], 1K[NI] & 1K RTDs are available as high accuracy. To order, add <b>[A]</b> after the designator #. Example BA/100[A]-B425L1-J-CG							
<b>Enclosure Style (Must select one)</b>							
	<b>-B4</b>	BAPI-Stat 4 Style Room Enclosure					
	<b>-R</b>	Delta Style Enclosure					
	<b>Setpoint</b>	<b>If Setpoint is required, must select Range and Legend</b>					
		<b>SETPOINT OUTPUT VALUE RANGE (insert Designator #)</b>					
		<b>Desired Range</b>	<b>Designator</b>	<b>Desired Range</b>	<b>Designator</b>		
	##	800 to 1200 Ω	<b>25</b>	15 k to 5 kΩ	<b>61</b>		
		909 to 1309 Ω	<b>26</b>	0 to 20 kΩ	<b>80</b>		
		1800 to 2200 Ω	<b>27</b>	4.75 k to 24.75 kΩ	<b>81</b>		
		0 to 1000 Ω	<b>40</b>	6.19 k to 26.19 kΩ	<b>82</b>		
		500 to 1500 Ω	<b>41</b>	7.87 k to 27.87 kΩ	<b>83</b>		
		2 k to 3 kΩ	<b>42</b>	10 k to 30 kΩ	<b>84</b>		
		0 to 10 kΩ	<b>60</b>	See App. Notes for other Setpoint Ranges			
		<b>SETPOINT LEGEND (insert Designator #)</b>					
		<b>Legend Range</b>	<b>Designator</b>	<b>Legend Range</b>	<b>Designator</b>		
		5-30 C <sup>2</sup>	<b>L1</b>	68-70-72 <sup>2</sup>	<b>L5</b>		
		55-85 F	<b>L2</b>	COOL/WARM	<b>L6</b>		
		60-85 F <sup>3</sup>	<b>L3</b>	WARM/COOL <sup>2</sup>	<b>L7</b>		
		65-80 F <sup>3</sup>	<b>L4</b>	No Legend	<b>L0</b>		
		<b>Override Configuration Must select one</b>					
	<b>-J</b>	Override as a Separate Input (Not available with voltage setpoint)					
	<b>-N</b>	Override in Parallel (//) with Sensor					
	<b>-P</b>	Override in Parallel (//) with Setpoint (Not available with voltage setpoint)					
	<b>-Z</b>	No Override					
		<b>Optional Communication Jack Skip if not required</b>					
	<b>-C35</b>	3.5 mm Phono Style Jack					
	<b>-C11</b>	RJ11 (4 pin) Style Jack					
	<b>-C12</b>	RJ12 (6 pin) Style Jack					
	<b>-C22</b>	RJ22 (4 pin) Style Jack					
		<b>Optional Bi-Metal Indicator (for Delta Style Enclosure only) Skip if not required</b>					
	<b>-BM5090</b>	Bi-Metal Indicator: 50 to 90 °F					
	<b>-BM1030</b>	Bi-Metal Indicator: 10 to 30 °C					
		<b>Optional Test &amp; Balance Skip if not required</b>					
	<b>-TB</b>	3 Position Switch - Low & High values vary, Normal is live sensor value.					
		<b>Connection Configuration Must Select One</b>					
	<b>-CG</b>	Common Ground (Required for voltage setpoint)					
	<b>-DF</b>	Differential Inputs					
		<b>Logo Plate Color for BAPI-Stat 4 Only Must select for BAPI-Stat 4</b>					
	<b>-WMW</b>	Warm White Logo Plate Color (standard)					
	<b>-GRY</b>	Gray Logo Plate Color					
		<b>Optional Enclosure Color for BAPI-Stat 2 and Delta Style Only</b>					
	<b>-CPW</b>	Copl White Color (Warm White is Standard)					
		<b>Special Options Skip if not required</b>					
	<b>-LED</b>	Separate Terminal Power					
	<b>-FOAM</b>	Foamback Insulator for Delta Style Enclosure (Standard on BAPI-Stat)					
<b>EXAMPLE</b>							
BA/	10K-2	-B4	25L1	-J	-C35	-CG	-WMW
Example Part Number: BA/10K-2-B425L1-J-C35-CG-WMW							
<b>Your Part Number:</b>							

<sup>1</sup> The 100[3W] sensor is not available with Setpoint, Override, Communication Jack or Test & Balance switch options.

<sup>2</sup> Special order - call for price and availability.

<sup>3</sup> Special order for Delta Style Units - call for price and availability.

Call BAPI if you have questions about the above ordering/pricing grid or the configuration of the product you are ordering.

