



Rev. 11/09/17

BAPI-Stat “Quantum Slim” Sensor

A7

Temperature Sensors

Features & Options

- New BAPI-Stat “Quantum Slim” Enclosure Style
- White or Black Color Option
- Wide Selection of Temperature Sensing Elements
- Limited Lifetime Warranty

The new BAPI-Stat “Quantum Slim” Temperature Room Sensor is designed for applications where a temperature output is required with a sleek, low profile room enclosure. Available with thermistor and RTD elements. Ideal for locations where aesthetics are as important as the temperature measurement.



BAPI-Stat “Quantum Slim” Sensors



Ordering Information

| Part Number | Description |
|-----------------|---|
| BA/QS-W-A..... | White BAPI-Stat “Quantum Slim” with 1K Platinum RTD (385 curve) |
| BA/QS-W-B | White BAPI-Stat “Quantum Slim” with 10K-2 Thermistor |
| BA/QS-W-C | White BAPI-Stat “Quantum Slim” with 10K-3 Thermistor |
| BA/QS-W-D | White BAPI-Stat “Quantum Slim” with 10K-3[11K] Thermistor |
| BA/QS-W-E | White BAPI-Stat “Quantum Slim” with 20K Thermistor |
| BA/QS-W-F..... | White BAPI-Stat “Quantum Slim” with 1.8K Thermistor |
| BA/QS-W-G | White BAPI-Stat “Quantum Slim” with 1K Ω Nickel RTD |
| BA/QS-W-H | White BAPI-Stat “Quantum Slim” with 3K Thermistor |
| BA/QS-W-V | White BAPI-Stat “Quantum Slim” with 10K-4 Thermistor |
| BA/QS-B-A..... | Black BAPI-Stat “Quantum Slim” with 1K Platinum RTD (385 curve) |
| BA/QS-B-B | Black BAPI-Stat “Quantum Slim” with 10K-2 Thermistor |
| BA/QS-B-C | Black BAPI-Stat “Quantum Slim” with 10K-3 Thermistor |
| BA/QS-B-D | Black BAPI-Stat “Quantum Slim” with 10K-3[11K] Thermistor |
| BA/QS-B-E | Black BAPI-Stat “Quantum Slim” with 20K Thermistor |
| BA/QS-B-F..... | Black BAPI-Stat “Quantum Slim” with 1.8K Thermistor |
| BA/QS-B-G | Black BAPI-Stat “Quantum Slim” with 1K Ω Nickel RTD |
| BA/QS-B-H | Black BAPI-Stat “Quantum Slim” with 3K Thermistor |
| BA/QS-B-V | Black BAPI-Stat “Quantum Slim” with 10K-4 Thermistor |

Specifications

Wiring:

One pair of 16 to 22 AWG wires

Mounting:

Surface or drywall mount (screws provided)

Sensing Element:

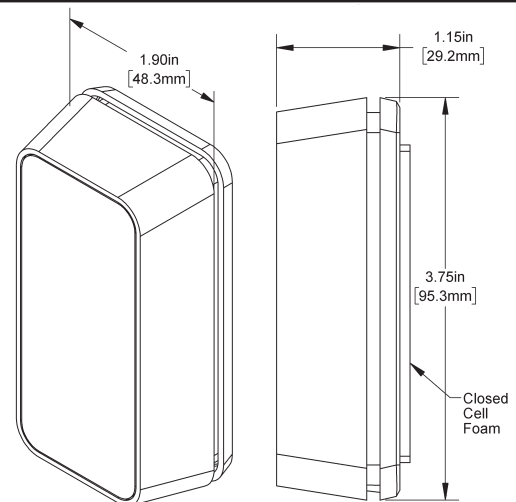
Thermistor or RTD (See Sensors Sect. for Specs.)

Environmental Operation Range:

Temperature: 32 to 122 °F (0 to 50 °C)

Humidity: 0 to 95%, non-condensing

Agency: RoHS, CE



Building Automation Products, Inc. • 750 North Royal Avenue, Gays Mills, WI 54631 USA

Tel: +1-608-735-4800 • Fax: +1-608-735-4804 • Email: sales@bapihvac.com • Web: www.bapihvac.com