

WOLTMAN HELICAL VANE WATER METER

NWM WP-SDC (DN40 – DN500) TURBINE
COPPER CAN REGISTER VERSION

TURBINE Woltman (Helical Vane) water-meter incorporates a magnetic transmission together with super dry-type register and is intended for Industrial and Irrigation applications.

Designed and built by NWM Co. this product meets ISO 4064 International Standard.

CHARACTERISTICS:

- All materials in contact with water are corrosion resistant - the iron body being coated both inside and outside with epoxy coating for added protection to corrosion;
- The ROTATING indicator-register ensures the most preferred reading position in so far as installation;
- The copper can 'super dry register' is incorporated, offering IP68 protection;
- The measuring mechanism is interchangeable and can be easily removed from the water-meter body so there is no need to remove the whole unit from the pipe for maintenance or replacement.
- Suitable for installation in any position;
- Offers very low pressure loss;
- Not affected by external magnetic fields;
- Pulse-ready output feature (as a standard OPTION), covering all sizes:

The Pulse Output Device consists of a plastic housing with a Reed Switch, and 1,5 m cable with 2 cores in Red and Black.

- Electric Data: Vmax=24AC/DC; Imax=0,01A
- Capacity of the Pulse Emitter

Size	M3/PULSE	
DN40 TO DN125	0.1	1
DN150 TO DN200	1	10
DN250 TO DN500	10	100



DIAL PLATE DESIGN:

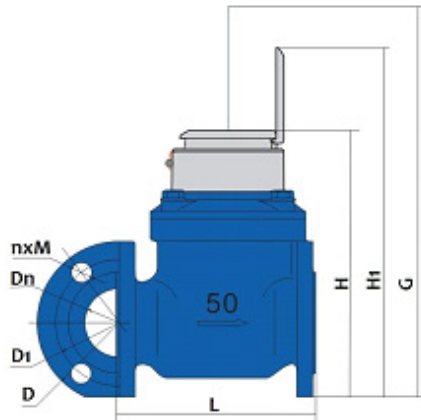


COLD WATER MODEL WMHVC

WOLTMAN HELICAL VANE WATER METER

NWM WP-SDC (DN40 – DN500) TURBINE
COPPER CAN REGISTER VERSION

DIMENSIONS:



HOT WATER MODEL WMHVH (Suitable for up to 90C)

The Flange Standard under AS2129 Table D as:

DN	50	65	80	100	150	200
L	311	245	225	250	300	350
H	252	262	272	282	341	371
H1	339	349	359	369	428	458
G	400	400	400	400	500	500
D	165	185	200	220	285	340
D1	125	145	160	180	240	295
nxM	4xM16		4xM16		8xM16	

*Different Flange Standards cover selections such as: ISO 7005-2: 1998(E) PN10, ASME B16.1-Class 125 and B16.5-Class 150...

WOLTMAN HELICAL VANE WATER METER

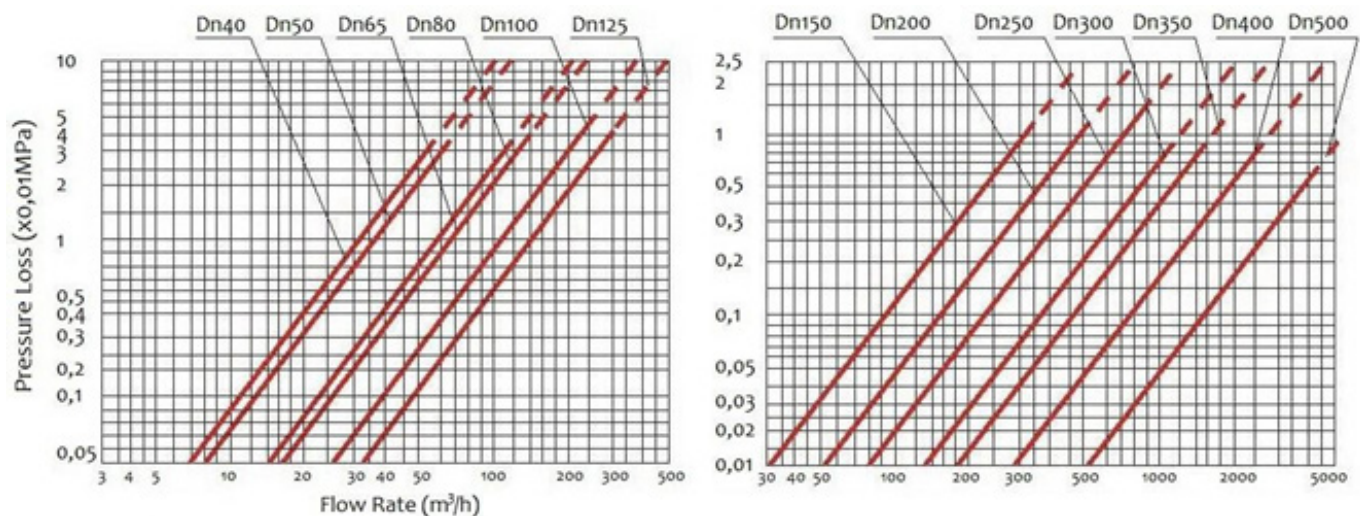
NWM WP-SDC (DN40 – DN500) TURBINE

COPPER CAN REGISTER VERSION

TECHNICAL DATA:

Size	mm	50	65	80	100	150	200
Metrological Class		B					
Qmax	m ³ /h	30	50	80	120	300	500
Qn	m ³ /h	15	25	40	60	150	250
Qt	m ³ /h	3	5	8	12	30	50
Qmin	m ³ /h	0,45	0,75	1,2	1,8	4,5	7,5
Max. Reading	m ³	999999,999				999999,99	
Min. Reading	m ³	0,0005				0,005	
Max. Pressure	Bar	PN16					
Max. Temperate	C°	40C - Cold Water Valve			90C - Hot Water Valve		

PRESSURE LOSS CURVE:



Max. Permissible Error Parameters:

From Qmin inclusive up to but excluding Qt is $\pm 5\%$; From Qt inclusive up to and including Qmax is $\pm 2\%$;

